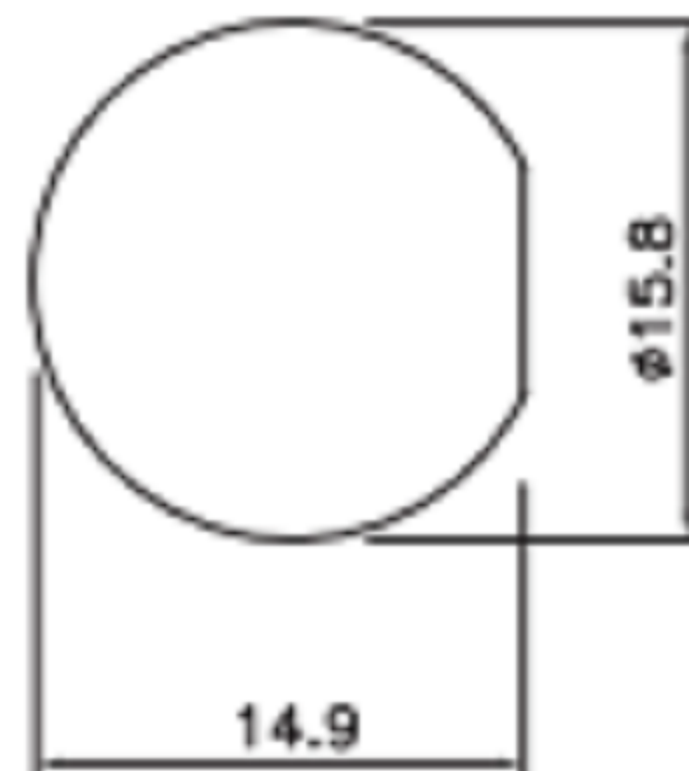


开孔尺寸
hole opening size

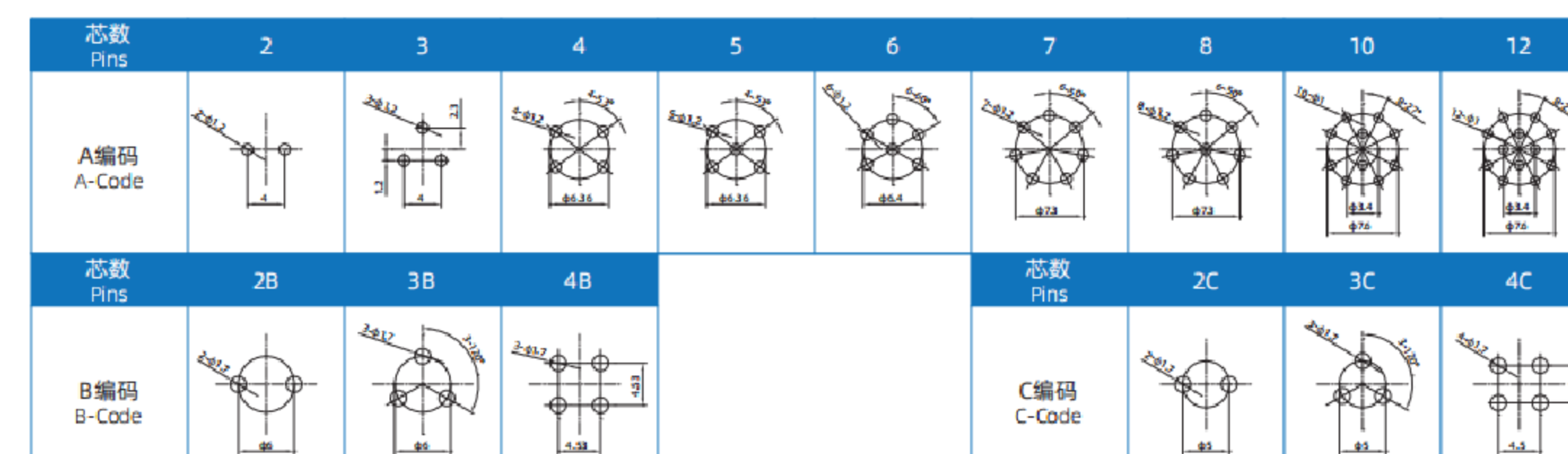


板后安装孔型PCB板式插座(卡扣式)
E10 Female Back Mount PCB Receptacle(Bayonet)

E10B - S 3B - PPF

芯数:
A:2 3 4 5 6 7
8
B:2B 3B 4B
C:2C 3C 4C

E10-PCB芯位图 E10 PCB PINS ARRANGEMENT



E10-电气参数 E10 ELECTRICAL PARAMETERS

芯数排列及技术参数 PINS ARRANGEMENT & TECHNICAL PARAMETERS															
芯数 Pins	2B	3B	4B	2C	3C	4C									
芯位排布 Pins arrangement															
芯数 Pins	2	3	4	5	6	7	8	10	12						
芯位排布 Pins arrangement															
规格 SPECIFICATIONS															
芯数 Pins	2B	3B	4B	2C	3C	4C	2	3	4	5	6	7	8	10	12
线规 Wire gauge	0.823mm ² (18AWG)						0.519mm ² (20AWG)						0.34mm ² (22AWG)		
引脚类型 Pin type	Ø 1.6mm						Ø 1.0mm						Ø 0.8mm		
接线范围 Wiring range	3.5mm-10.0mm														
防水等级 Waterproof grade	IP67/IP68														
插拔次数 Durability	500														
适用温度 Applicable temperature	-45°C-105°C														
额定电压 Rated voltage	300V	300V	300V	125V	125V	125V	60V	60V	60V	60V	60V	60V	60V	30V	30V
额定电流 Rated current	10A	10A	10A	10A	10A	10A	5A	5A	5A	5A	5A	5A	5A	2A	2A

东莞市高迪电子有限公司
DONG GUAN GAO DI ELECTRONICS CO., LTD

TOLERANCE UNLESS OTHERWISE STATED: Up to 5 ±0.2, Above 5 ~ 15 ±0.3, Above 15 ~ 30 ±0.4, Above 30 ~ 50 ±0.5, Angle ±0.3°

3RD. ANGEL'S

UNITS MM

DRAWN BY:	DATE	MAT'L	TITLE	CONNECTOR
Jack Lu	12/13/19			
CHECKED BY:	DATE	FINISH	MODLE	E10B - S 3B - PPF
Jacky Chen	12/13/19			
APPROVED BY:	DATE	SCALE	DWG NO.	
Tony Kao	12/13/19	1:1		
		SHEET NO.	PART NO.	
		1 of 1		

ITEM NO.	DESCRIPTION	DRAWN	DATE

SIZE
A4
VER
R1